

INSTALLATION INSTRUCTIONS

Above Counter Basin

▲ CAUTION: PRODUCT IS FRAGILE. TO AVOID BREAKAGE AND POSSIBLE INJURY HANDLE WITH CARE! NOTE: Pictures may NOT exactly represent Basin.

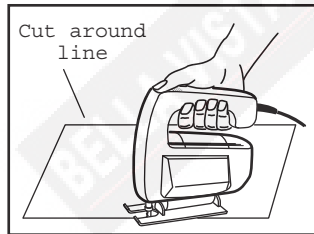
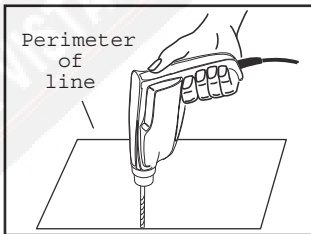
WE RECOMMEND CONSIDERING PROFESSIONAL INSTALL OF ALL PRODUCTS

OBSERVE LOCAL PLUMBING AND BUILDING CODES

COUNTERTOP INSTALLATION

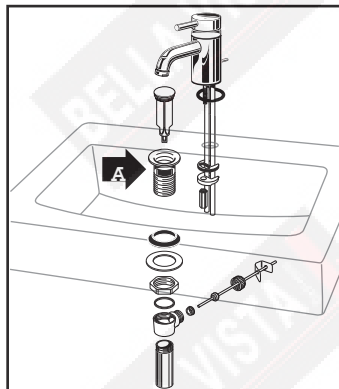
- 1** Using the basin as a template, locate the position of the sink on the countertop. Provide proper clearance under the countertop for the plumbing lines, drain assembly and the structural parts of the cabinet.
- NOTE:** If replacing an existing basin be certain to shut off water supply before removing old sink.

- 2** Drill a clearance hole inside the marked line to assist with cutting of the countertop.

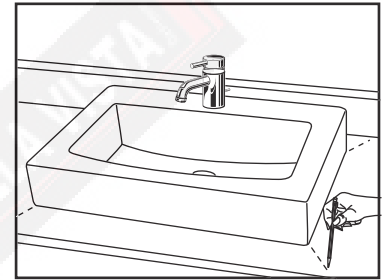


Cut opening around the perimeter of the marked line.

- 3** Mount the tapware and drain assembly (not included) on the sink following the manufacturer's instructions. Be certain to apply a bead of silicone on the underside of the drain in order to ensure a watertight seal between the sink and drain. Remove excess silicone after installing drain on sink.



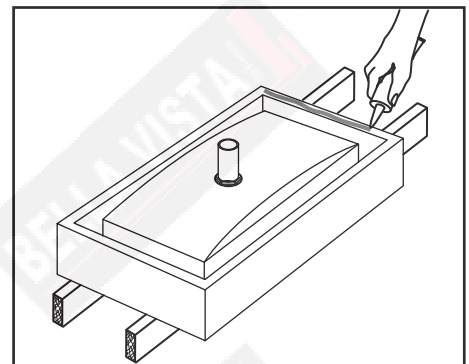
4



Place the basin temporarily in position. Check for alignment and clearance. Mark the basin and countertop in several places as a guide for the installation location.

5

After checking fit and alignment, turn basin upside down and apply a generous portion of silicone adhesive around the underside of the rim near the edge. Place basin in position. Wipe off excess adhesive.



Once basin has been installed in correct position silicone / caulk around basin to create a water tight seal.